

# LED Dome Lights - Model 411

## PRODUCT INFORMATION

---

|                                      |   |
|--------------------------------------|---|
| <b>Description</b>                   | 12-24V LED Dome Light with On/Off Button      |
| <b>Height</b>                        | 75.44 mm / 2.97 in                            |
| <b>Width</b>                         | 165.35 mm / 6.51 in                           |
| <b>Depth</b>                         | 24.64 mm / 0.97 in                            |
| <b>Shape</b>                         | Rectangular                                   |
| <b>Outer Lens Material</b>           | Polycarbonate                                 |
| <b>Outer Lens Color</b>              | Clear   |
| <b>Housing Material</b>              | Polycarbonate                                 |
| <b>Housing Color</b>                 | Black   |
| <b>Mounting Hardware Description</b> | (x2) #8-32 x Phillips Taptite Mounting Screws |
| <b>Mounting Type</b>                 | Flush Mount                                   |
| <b>Minimum Operating Temperature</b> | -40 °C / -40 °F                               |
| <b>Maximum Operating Temperature</b> | 65 °C / 149 °F                                |
| <b>Connector or Wiring</b>           | Bare Leads                                    |
| <b>Product Weight</b>                | 0.00 lbs / 0 kgs                              |
| <b>Shipping Weight</b>               | 0.90 lbs / 0.41 kgs                           |



---

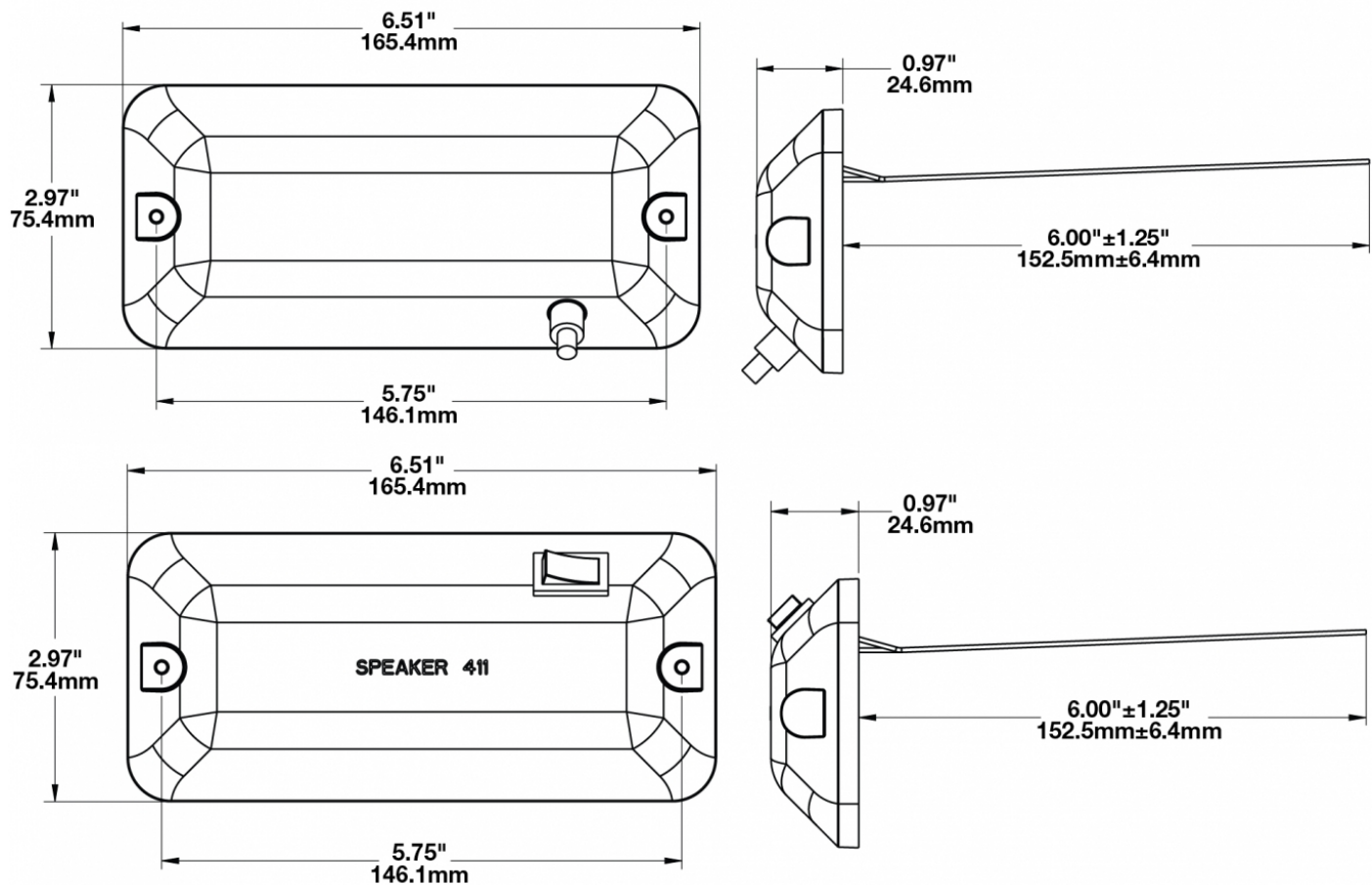
**Print date: 2024-08-11**

© 2024 J.W. Speaker Corporation • Germantown, WI U.S.A.  
www.jwspeaker.com • speaker@jwspeaker.com • 262.251.6660

**J.W. SPEAKER**   
Engineered. Lighting. Solutions.

# LED Dome Lights - Model 411

## PRODUCT DIMENSIONS



## ELECTRICAL SPECIFICATIONS

|                                   |                                  |
|-----------------------------------|----------------------------------|
| <b>Input Voltage</b>              | 12-24V DC                        |
| <b>Operating Voltage</b>          | 9-32V DC                         |
| <b>Transient Spike Protection</b> | 150V Peak @ 1 HZ-100 Pulses      |
| <b>Red Wire</b>                   | Positive                         |
| <b>Black Wire</b>                 | Negative                         |
| <b>Current Draw</b>               | 0.14A @ 12V DC<br>0.09A @ 24V DC |

Print date: 2024-08-11

© 2024 J.W. Speaker Corporation • Germantown, WI U.S.A.  
www.jwspeaker.com • speaker@jwspeaker.com • 262.251.6660

# LED Dome Lights - Model 411

## REGULATORY STANDARDS COMPLIANCE



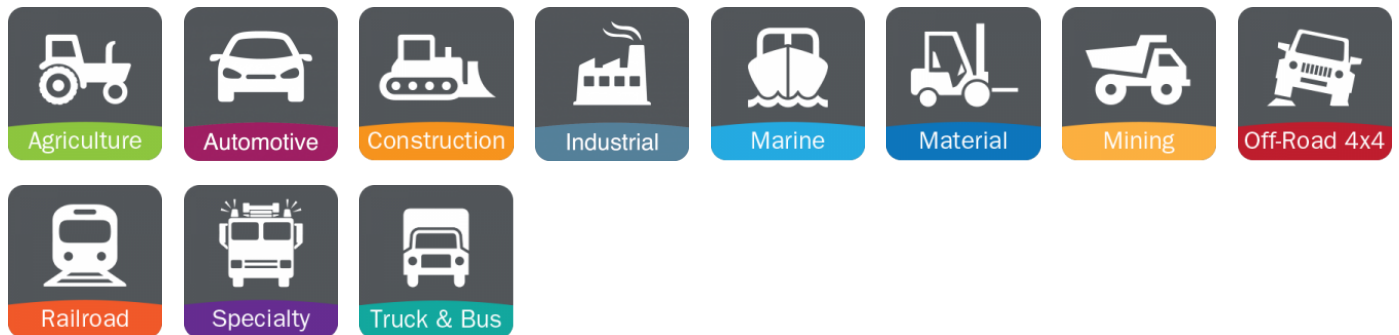
Buy America Standards  
Eco Friendly

ECE Reg 10  
Tested to ECE Reg. 10  
(Radiated Emissions only)

## PHOTOMETRIC SPECIFICATIONS

**Nominal LED Color Temperature** 5000 K  
**Beam Pattern(s)** Interior - Dome Light

## APPLICATIONS



## PRODUCT WARNINGS

For California residents:

⚠ **WARNING:** Cancer and reproductive harm - [www.P65Warnings.ca.gov](http://www.P65Warnings.ca.gov).

⚠ **AVERTISSEMENT:** Cancer et effet nocif sur la reproduction - [www.P65Warnings.ca.gov](http://www.P65Warnings.ca.gov).

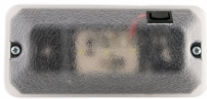
Print date: 2024-08-11

© 2024 J.W. Speaker Corporation • Germantown, WI U.S.A.  
[www.jwspeaker.com](http://www.jwspeaker.com) • [speaker@jwspeaker.com](mailto:speaker@jwspeaker.com) • 262.251.6660

# LED Dome Lights - Model 411

## RELATED PRODUCTS

---



**Part Number**

**0443291**

12-24V LED Dome  
Light with On/Off/Door  
Rocker Switch